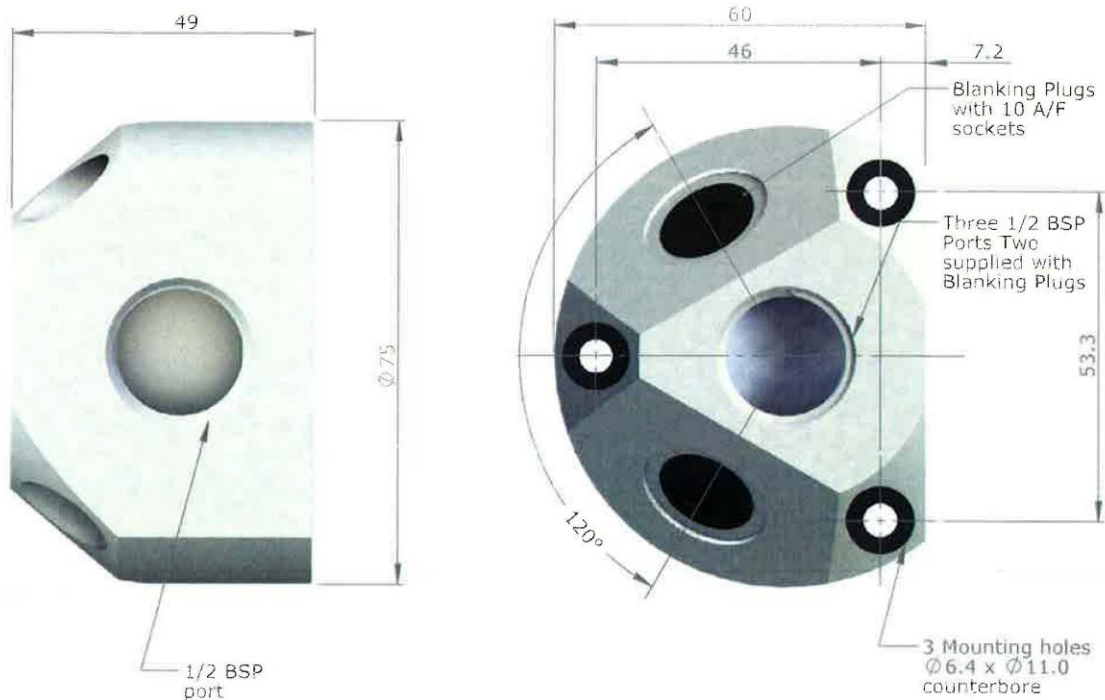


für Serie »speedfit« und »sharkbite«

Mit 2 Stopfen

Art.-Nr. 87.012


Dimensions in mm - nominal unless stated otherwise

Parts List

Part Description	Material	Part Description	Material
Body	Aluminium	Plugs	Nylon 6 30% Glass Filled
'O' Rings	Nitrile 70 IRHD, Black		

Technical Information
Working Pressures & Temperatures

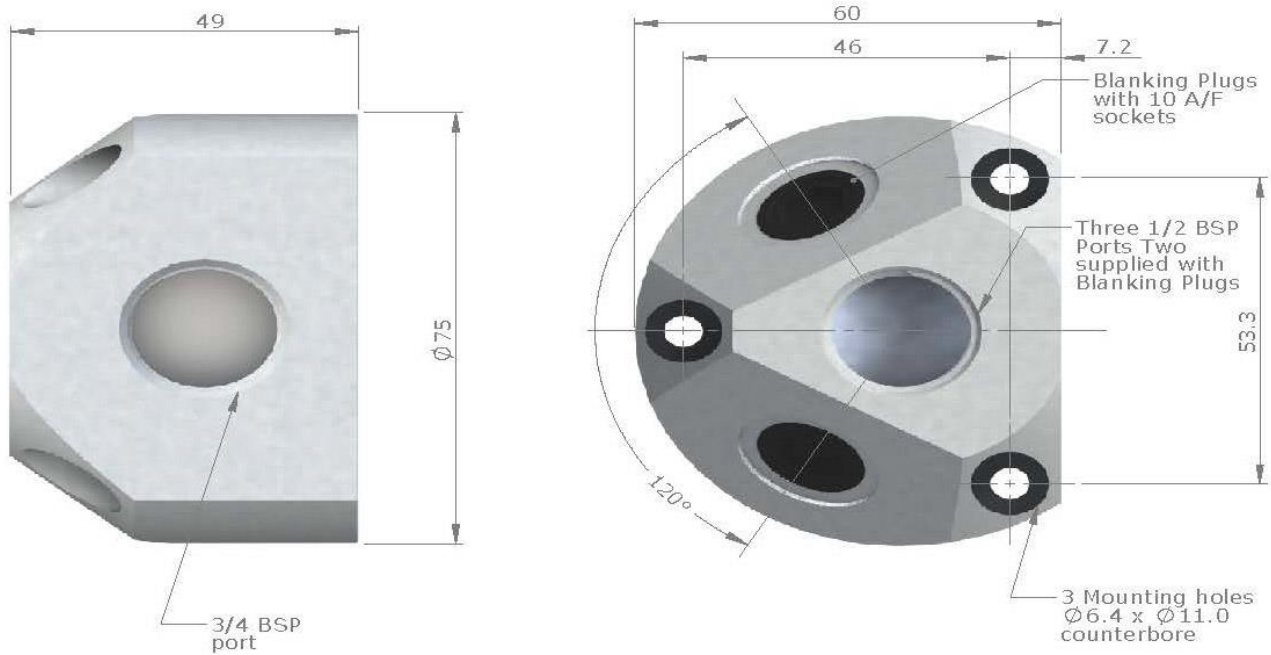
 10 bar @ 23 °C 7 bar @ 70 °C
 Minimum Temperature -20 °C

Applications

Air Ring Main

✓

Art.-Nr. 87.034



Dimensions in mm - nominal unless stated otherwise

Parts List			
Part Description	Material	Part Description	Material
Body	Aluminium	Plugs	Nylon 6 30% Glass Filled
'O' Rings	Nitrile 70 IRHD, Black		
Technical Information			
Working Pressures & Temperatures		Applications	
10 bar @ 23°C 7 bar @ 70°C Minimum Temperature -20°C		Air Ring Main ✓	